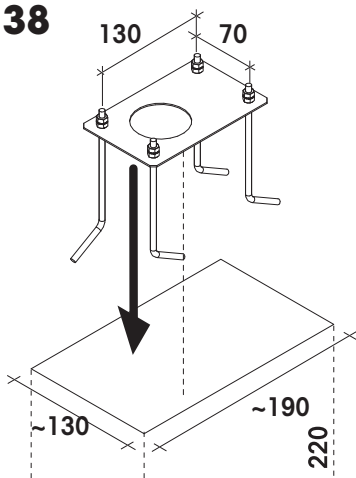


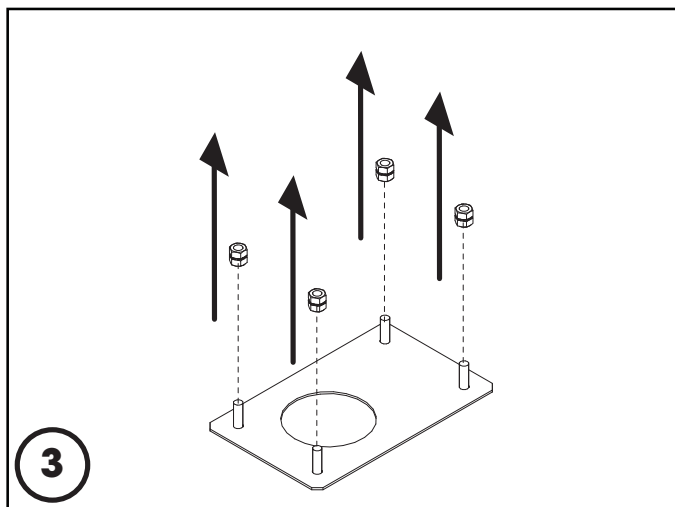
# Accessorio 138

## Accessory 138

cod.138

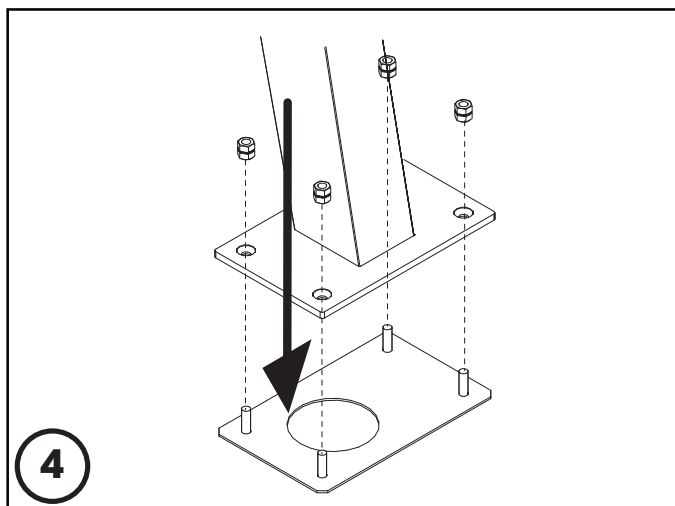
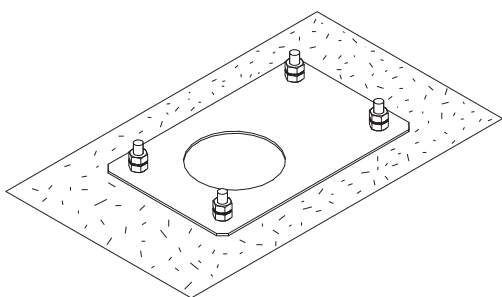


1



3

2

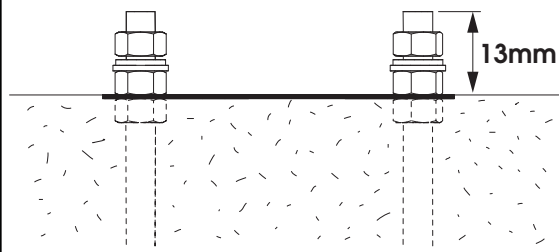


4

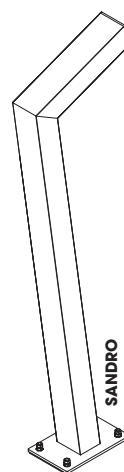


Murare la piastra a filo pavimento

The plate has to be concrete,  
flush with the surface



5



MADE IN ITALY  
www.aresill.it

**ares**<sup>®</sup>